

**SPECIFICATIONS:**

IMPEDANCE: 50 OHMS NOMINAL

FREQUENCY RANGE: DC TO 4GHz

VSWR: DC TO 1GHz AT 1.10:1 MAX.

1GHz TO 4GHz AT 1.25:1 MAX.

POWER RATING: 150 WATTS CW

— WHEN MOUNTED TO A HEAT SINK  
CAPABLE OF MAINTAINING A CASE  
TEMPERATURE OF 100°C OR LESS

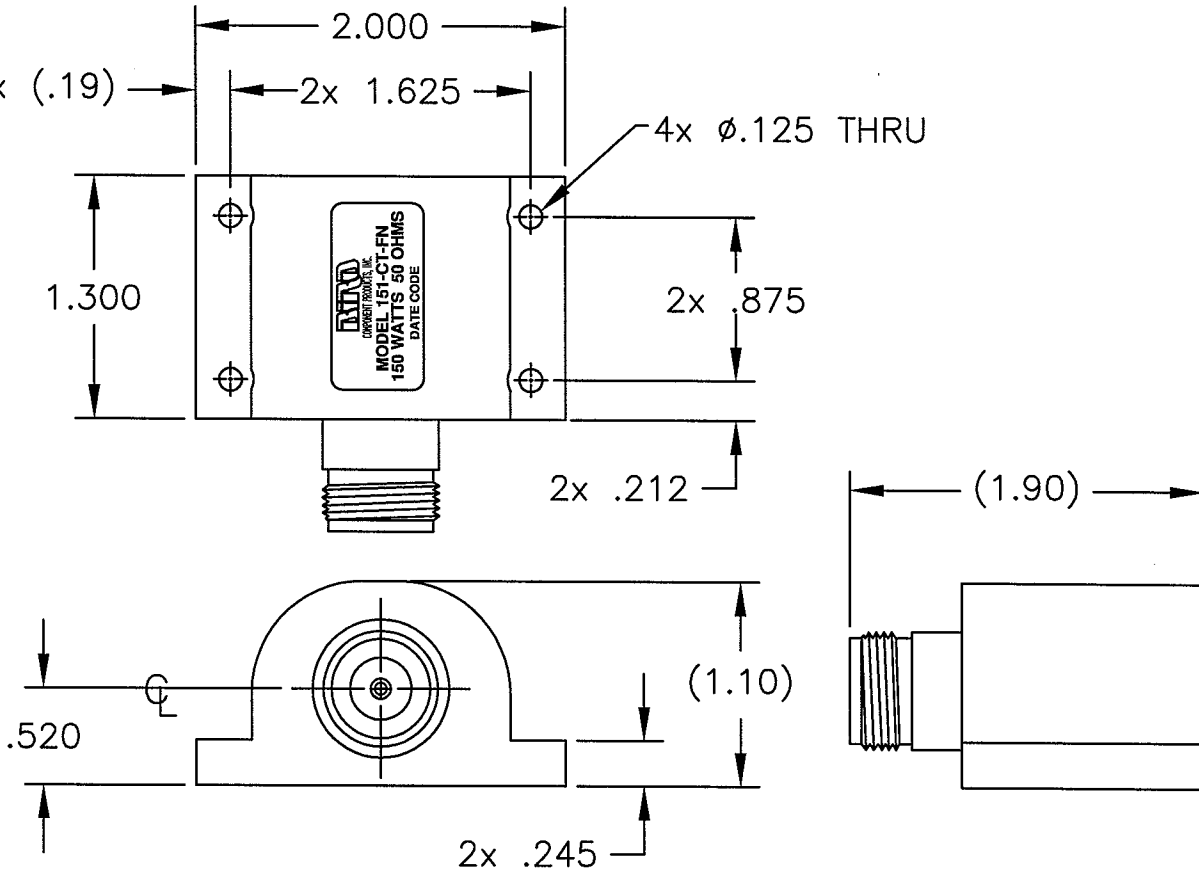
PASSIVE IM: -120dBc TYPICAL

CONNECTOR: N-TYPE FEMALE

— BRASS, TRI-ALLOY PLATED

HOUSING: ALUMINUM, YELLOW IRRIDITE

REVISIONS		DWG. NO.	151-CT-FN	SHEET	REV
ZONE	REV	DESCRIPTION	DATE	1	A
	A	CONVERT TO BEC FORMAT	DMR	4-7-03	<i>MARV</i>



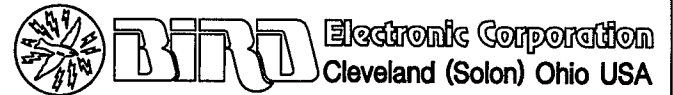
UNLESS OTHERWISE SPECIFIED  
DIMENSIONS ARE IN INCHES  
TOLERANCES ARE:

MILLIMETERS  
.X =  $\pm$ .4  
.XX =  $\pm$ .12

FRACTIONS	DECIMALS	ANGLES
$\pm$ 1/64	.XX = $\pm$ .010 .XXX = $\pm$ .005	$\pm$ 30'

DO NOT SCALE DRAWING

THIS DRAWING IS THE PROPERTY OF THE BIRD ELECTRONIC CORPORATION. THE DESIGNS AND SPECIFICATIONS DISCLOSED HEREON ARE PROPRIETARY AND SHALL NOT BE REPRODUCED, NOR COPIED, NOR USED AS THE BASIS FOR THE MANUFACTURE OR SALE OF APPARATUS OR DEVICES WITHOUT THEIR EXPRESS WRITTEN CONSENT.



MATERIAL	APPROVALS		DATE	TITLE			
		DRAWN	D.M.RINK	4-7-04	TERMINATION, CONDUCTION COOLED N-TYPE FEMALE, 150W		
FINISH	CHECKED			SIZE	FSCM NO.	DWG. NO.	REV
	APPROVED	<i>MARV</i>	6-15-03	A	70998	151-CT-FN	A
			AUTOCAD	SCALE	1:1	COMM CODE	LD1
				SHEET	1 OF 1		